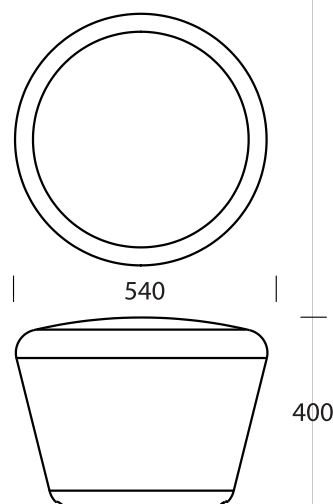


FACTS

LOOP UP # 198

Functional bollard for sitting and jumping – perfect for green areas, playground or schoolyard. Use for group gatherings, with or without distance, and create a positive and dynamic environment. Can be combined with any other product from our Loop family.

Design: AART Designers



TECHNICAL DATA

Material

Rotation moulded polyethylene, 6mm thick, dyed. Moulded in one piece. UV-resistant, stands up to weather, wear and tear. The material is suitable for granulation and recycling.

Surfaces and friction

The products have a textured/granulated surface due to abrasive blasting of the mold. This process enhances the friction and makes the surface less slippery.

Authentication

TÜV approved as playground equipment acc. EN1176 in process.

Dimensions

Ø540 x H400mm

Volume: 68L

Fixation

For surface and ground fixation. Brackets to be ordered separately.

Recycled and ecolabelled*

Recycled version is made from 100% recycled polyethylene plastic, of which 85% comes from internal waste and production surplus, while 15% comes from polyethylene bags.

Recycled version is ecolabelled, promoting circular economy and fulfils UN's sustainable development goal no.12 – Responsible consumption and production.

Recycled version is available in anthracite variant, yet colour can vary from order to order.

Maintenance

This product withstands most cleaning agents and chemicals and can be cleaned using a high-pressure cleaner. The colour can be revived using vinyl cleaner or similar

Family

Loop, Loop Light, Loop Arc, Loop Line, Loop Corner, Loop Cone

Tender

A functional bollard for sitting or jumping

Material: Rotation moulded polyethylene, 6 mm thick, dyed.

Dimensions: Ø540 + H400mm.

Fixation: For surface and ground fixation

Standard colours (approx. RAL)



Red: RAL 3020



Limegreen: RAL 120 70 60



Orange: RAL 2003

Variant colours (approx. RAL)



Yellow: RAL 1018



Purple: RAL 4004



Sandstone



Grey: RAL 7015



Blue: RAL 5010



Pastel blue: RAL 5024



Mokka brown: RAL 8028



Olive green: RAL 6025



White: RAL 9003



Recycled: Anthracite*